

JAKES LIFT KITS
2001&1/2 AND NEWER GAS AXLE KIT
PART # 6204

PARTS LIST

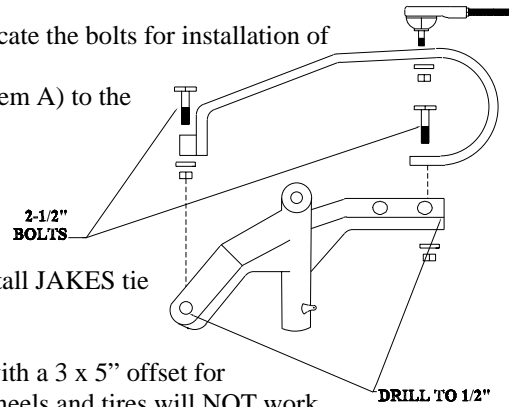


ITEM	QTY
A. FRONT AXLE	1
B. STEERING RISER	1
C. 2" X 1/2" BOLTS AND LOCKNUTS	2
D. REAR RISER	2
E. U- BOLTS & LOCKNUTS FOR REAR	4
F. WARNING LABEL	1

JAKES LIFT KITS
2001&1/2 AND NEWER GAS
ASSEMBLY INSTRUCTIONS

FRONT INSTALLATION

1. Jack up the front end of the cart and place it on jack stands. You will be installing larger wheels and tires so raise the cart high enough to accommodate for the additional height.
2. Remove the wheels and tires.
3. Remove the tie rod joints from the spindles.
4. Remove the spindles from the front axle. Clean and lubricate these bolts for the reinstallation of the spindles. The two stock mounting holes on the spindle of the passenger side needs drilled out to 1/2" for installation of the steering riser.
5. Remove the front axle from the leaf springs. Clean and lubricate the bolts for installation of the new axle.
6. Using the bolts from the old axle install JAKES front axle (Item A) to the leaf springs.
7. Install the spindles to the new front axle.
8. Install JAKES steering riser (Item B) to the passenger side spindle using the nuts and bolts provided (Item C).
9. Reattach the tie rod joints to the spindles. NOTE: If your cart does not have greasable tie rod ends you will need to install JAKES tie rod at this time (Item F).
10. Securely tighten all bolts.
11. Install JAKES recommended 22 x 11 x 10 wheels and tires with a 3 x 5" offset for maximum performance and stability. NOTE: Your stock wheels and tires will NOT work.
12. Take the cart off of the jack stands and lower the cart.
13. Drive the cart forward 10-20 feet and check the toe-in. (Proper toe-in should be approximately 1/8".)



REAR INSTALLATION

1. Jack up the rear end of the cart and place jack stands on the frame in front of the springs. You will be installing larger wheels and tires so raise the cart high enough to accommodate the additional height.
2. Remove the wheels and tires.
3. Unbolt the bottom of the shocks. Clean and lubricate these bolts for later use.
4. Remove the aluminum/rubber ISO mount.
5. Place JAKES rear riser (Item D) on the axle as shown in the picture. Use the centering pin as a guide as to where the riser should be placed.
6. Place the leaf springs on top of the rear risers. Bolt the front of the springs into place.
7. Place the stock shock plate on the top of the springs. Bolt the rear together as shown in the picture using the supplied u-bolts and nuts (Item E). Bolt the rear of the springs into place using the stock bolts.
8. Attach the bottom of the shocks to the new location of the shock mounts using the stock bolts.
9. Double check all nuts and bolts for tightness.
10. Install JAKES recommended wheel and tire size 22 x 11 x 10 wheels and tires with a 3 x 5" offset for maximum performance. NOTE: Your stock wheels and tires will work but are **not** recommended!
11. Included is a warning label (Item F) which is to be placed on the steering column or another visible area and is to be read by all operators.

