



RedDot

Part #: 26-168 (84")

26-169 (120")

Topsail Installation Instructions

ITEMS INCLUDED

- Frame and Cross Bars
- Hardware Pack
- Paracord

TOOLS NEEDED

- 4mm Allen Key
- #2 Phillips Screwdriver
- Scissors or Cutting Tool
- Side Cut Pliers

****Model specific strut & bracket kits sold separately***

****Note: It is recommended to assemble this product on the floor or a table large enough to properly support it.***

STEP 1

Unfold canvas and lay flat on a clean flat surface with textured side up so the fabric relaxes from shipping.



NOTE: FOR ASSEMBLY OF 120" TOPSAIL, FOLLOW THE SAME STEPS WITH ADDITIONAL RAILS AND CENTER SUPPORTS INCLUDED IN KIT AS SHOWN IN FIG. 2. SEE PAGE 4 FOR COMPLETED RAIL ASSEMBLY.

STEP 2

Layout frame rails as shown in Fig. 1.

- A. Front Bar
- B. Center Supports
- C. Left Front Rail
- D. Right Front Rail
- E. Left Rear Rail
- F. Right Rear Rail
- G. Rear Bar
- H. Side Rails (120" Topsail only)

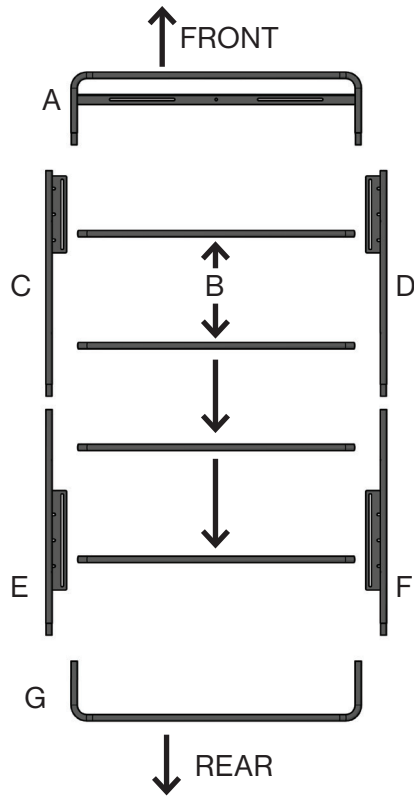


Fig.1

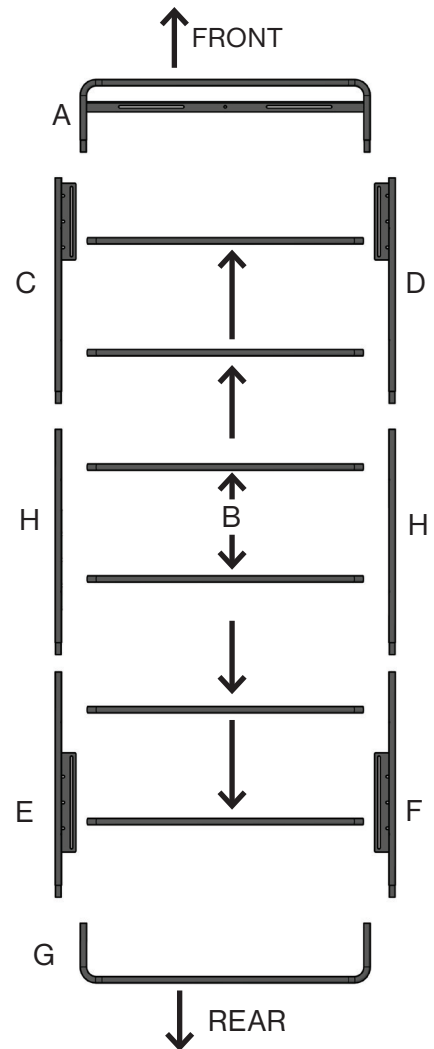


Fig.2

STEP 3

Starting from the front, and with the mounting brackets on the bottom, slide the left and right front side rails in as shown in Fig.3. The tapered joints of the side rails should be to the rear.

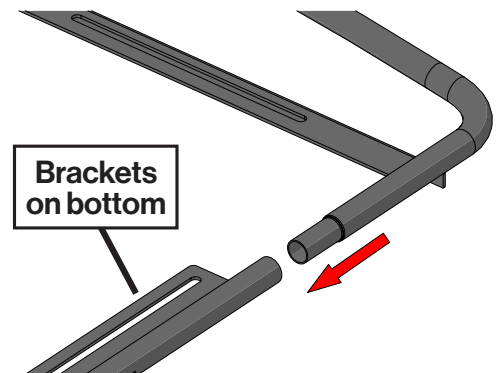


Fig.3

STEP 4

Slide the rear rails onto the tapered joints of the front rails as shown in Fig. 4. For 120" version, insert side rails between the front and rear rails as shown in Fig.5.



Fig. 4



Fig. 5

STEP 5

Connect the rear U-shaped rear tube (G) as shown in Fig. 6.

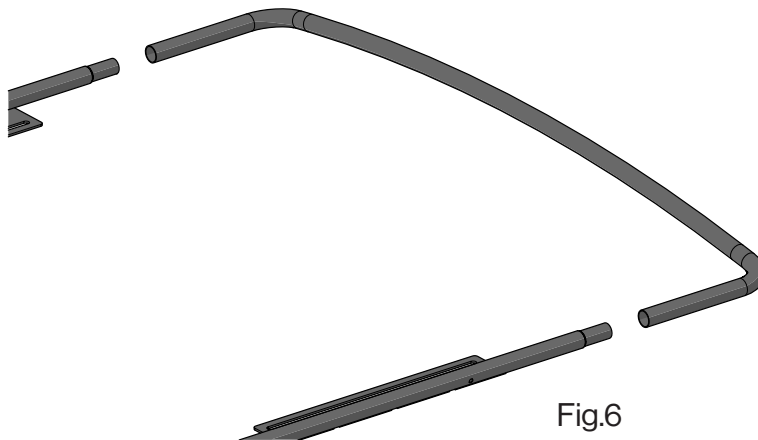


Fig.6

ASSEMBLE THE UNIONS FOR CENTER SUPPORTS

STEP 6

Using the provided hardware, assemble the unions to the side rails as shown in Fig. 7. When assembling the unions make sure the notches line up before snugging the screw. See Fig. 8.

!Do not tighten until the cross bar is installed!

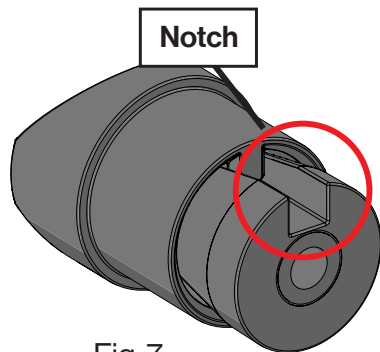


Fig. 7

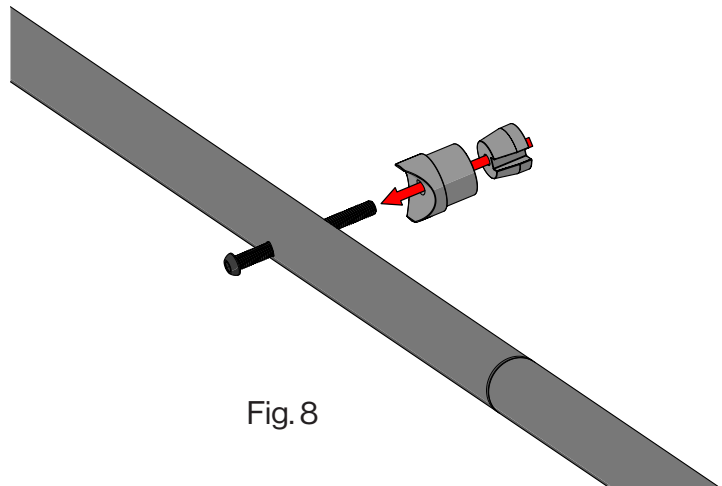


Fig. 8

STEP 7

- A.** Line up the center supports with the holes in the side frame as shown in Fig. 9a. Using the provided hardware, start the screw a few threads, but do not tighten until the last bar is installed.
- B.** With the frame assembled, align the holes on the underside of the Rails and install the provided set screws as shown in the locations indicated in Fig. 9b.

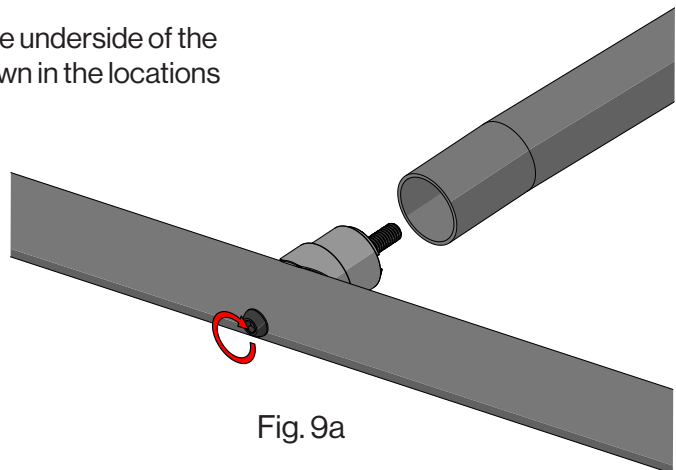


Fig. 9a

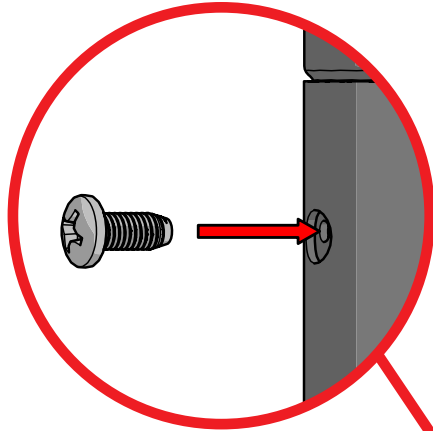
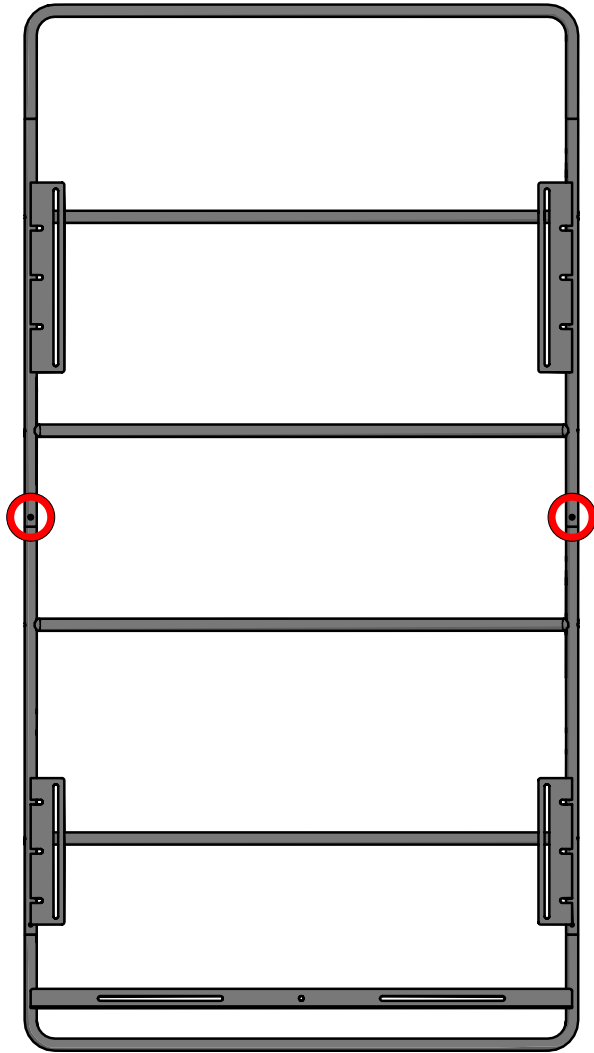
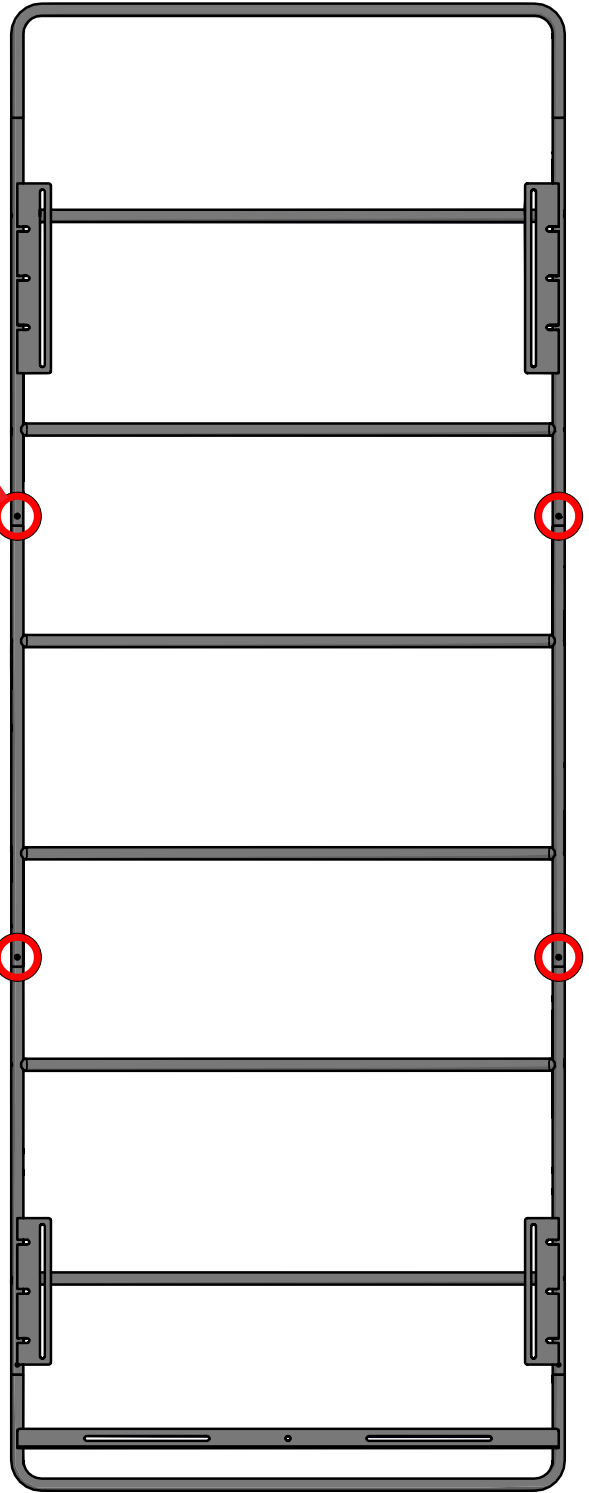


Fig. 9b



Assembled 84" Top



Assembled 120" Top

ATTACH CANVAS TO FRAME

STEP 8

Place the canvas on the top of the frame with the smooth side down and textured side up. See Fig. 10. Use the provided tie straps to temporarily secure the corners and the center as shown (this will make running the cord easier).

***Note:** Make sure the tie straps are pulled evenly to the center to ensure canvas is tight to frame.

****Note:** Use additional tie straps as needed for 120" version.

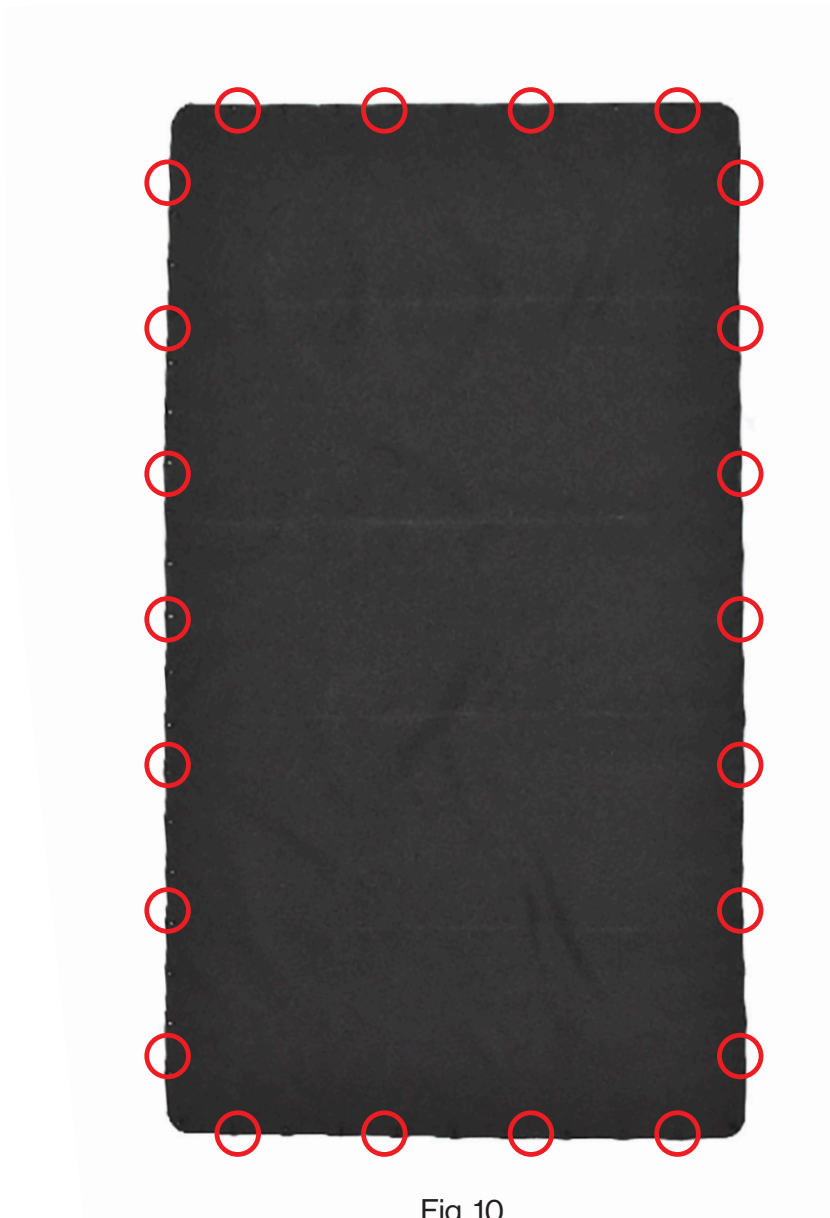


Fig. 10

STEP 9

Starting from the center of the rear of the frame, weave paracord through the slots in the canvas around the frame as shown in Fig. 11. Cut off the excess and tie the two ends together. Once the cord is secure, remove the tie straps as shown in Fig. 12.



Fig. 11



Weaving Completed



Fig. 12

INSTALLING THE TOPSAIL TO CART

Note: This top is designed to be used with the MadJax/GTW seat kits and struts.

STEP 10

Follow the instructions included in the strut kits, but make sure the rear brackets are placed on top of the rear struts instead of on the bottom as shown in Fig. 13.

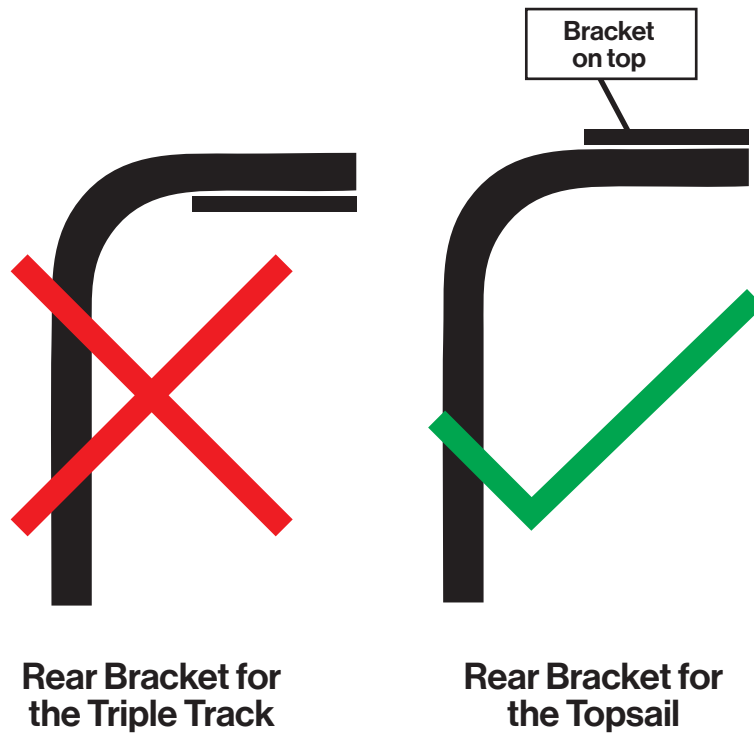


Fig. 13

INSTALLATION COMPLETE

E-Z-GO®, TXT®, RXV® and S4® are registered trademarks of Textron Innovations, Inc. Club Car®, Precedent®, DS®, Onward® and Tempo® are registered trademarks of Ingersoll Rand, Inc. Yamaha®, Yamaha® Drive®, Drive2®, G-14®, G-16®, G-19®, G-22® and G-29® are registered trademarks of Yamaha Golf-Car Company. Any reference to Club Car®, E-Z-GO®, or Yamaha® or their associated trademarks, word marks, and products are only for purposes of identifying golf carts with which this MadJax product is compatible. MadJax products are aftermarket parts and are not original equipment parts. MadJax is not connected to, affiliated with, sponsored by, or endorsed by either Textron Innovations, Inc., Ingersoll Rand, Inc., Yamaha Golf Cart Company, or any of their parent or subsidiary companies.